

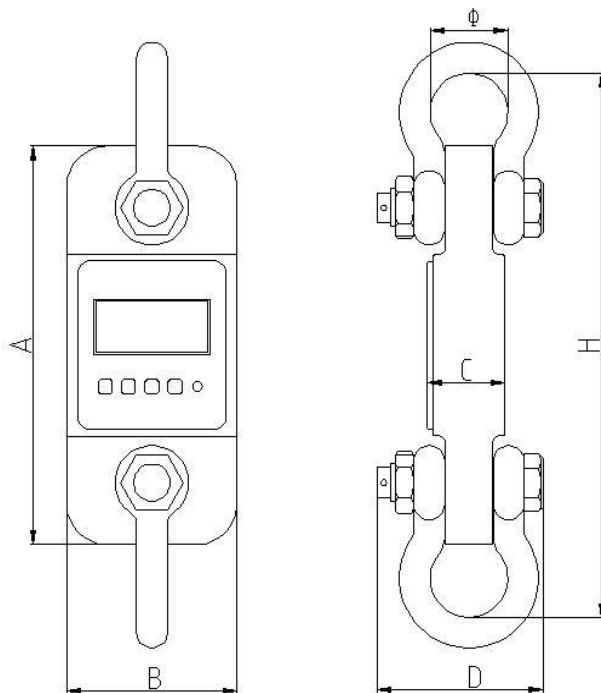
# A-WD06 Wireless Dynamometer/Dyna-Link



## Description

A-WD06 wireless Dyna-link load gauge is an extremely well-built instrument for industry use, as a standard wireless tool offer universal applications, whether used as conventional crane weigher or to measure force, wireless Dyna-link load gauge is microprocessor controlled for precision accuracy, calibration is easier with wireless indicator.

## Main Dimensions and Accessories(mm)



Model	CAP	Div	A	B	C	D	φ	H
A-WD06	1t	0.5kg	245	112	35	190	43	335
A-WD06	2t	1kg	245	116	35	190	43	335
A-WD06	3t	1kg	260	123	35	195	51	365
A-WD06	5t	2kg	285	99	55	210	58	405
A-WD06	10t	5kg	320	112	55	230	92	535
A-WD06	20t	10kg	420	128	70	260	127	660
A-WD06	30t	20kg	420	138	84	280	146	740
A-WD06	50t	20kg	465	150	104	305	184	930
A-WD06	100t	50kg	570	190	132	366	229	1230

## Feature

Accuracy:	Grade III, n=3000
Sample Rate:	80 times / second
Scale interval:	1/2/5/10/20/50 for option
Display:	6 bits LCD, 6 state indicating signals
Communication interface:	Wireless signal
Power supply:	Battery AA 1.5V*3
Operating temperature/humidity:	0~40°C; ≤90%RH
transporting temperature:	-20~50°C

## Specifications

Display:	25mm (1") 6 digits LCD	
Stable Time:	≤10seconds;	
Overload Indication:	100%	F.S. + 9e
Max. Safety Load:	125%	F.S.
Ultimate Load:	200%	F.S.
Battery Life:	≥40 hours	
Battery Type:	"LR6(AA)"size alkaline batteries. 1.5V x 3	
Operating Temp:	- 10°C ~ + 40°C	
Operating Humidity:	≤85% RH under 20°C	
Remote Controller Distance:	Min. 15m	
Wireless Frequency:	2.4GHz(default),433MHz,860MHz(optional)	
Wireless Distance:	Min. 80m(default) [200m(optional)]	

## A-WI02 Wireless indicator



### Work Principle:

The load cell's out-put signal is digital, parameter adjustment and temperature compensation will be finished in internal. Though 434MHz wireless module to launch after reasonable. Handhold receive load cell output and its internal battery power consumption values then show them on the LCD display ,and handheld through RS232 output to computer or large-screen display.

### Product Characteristics:

- ▲Display: LCD 192\*64 dot with backlighting , 6 bit show weight value
- ▲Hold on the peak value, can contact with computer or large-screen display by RS232(Optional)
- ▲Unit: kg、lb、t、kN.

### Technical Parameter:

Wireless Frequency:	434MHz
Wireless Distance:	Min:200m (default)
A/D Conversion Rate:	≥50times/seconds
Work temperature	0°C~40°C
Battery Life:	48 hours for one charging
Non-Linearity:	0.01%F.S
Stable Time:	≤5 seconds
Citation:	GB/T7551-2008/ OIML R60

### Notice

Do not use the wireless load cell in explosive and unsafe place. The wireless range will be effective when in different weather, the load cell with the indicator in different place, orientation or obstruct from. For charge, according to Li-ion battery. Do not excess discharge.